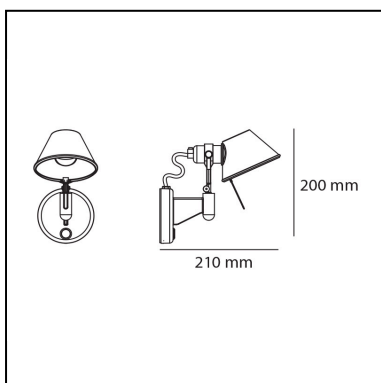


# Tolomeo Micro Faretto - with switch

Michele De Lucchi  
Giancarlo Fassina



IP20   



## LUMINAIRE \*

- Watt: **5W**
- Voltage: **220V-240V**
- Delivered lumen output: **267lm**
- Efficiency: **57%**
- Efficacy: **53.33lm/W**
- CRI: **80**

\* Photometric data may vary depending on the source installed.  
Light measurements are provided in relative form and technical lighting calculations may be updated according to the effective source used.

## Notes

Possibility to mount LED source on E14 Socket

## DESCRIPTION

Icon of Italian design and the result of the brainchild of designers Michele De Lucchi and Giancarlo Fassina, the Tolomeo lamp was launched on the market in 1987. It embodies the perfect balance between functionality and aesthetics.

In the Faretto version, the head of the Tolomeo lamp is fixed directly to a wall mount and is free to move in any direction just like in the iconic table lamp version. Controlled with the dimmer placed on the head or on the frame, it becomes a useful instrument of light for private spaces but also for work and hospitality environments.

## FEATURES

- Product Code: **A044050**
- Colour: **Aluminium**
- Installation: **Wall**
- Material: **Aluminium**
- Series: **Design Collection**
- design by: **Michele De Lucchi, Giancarlo Fassina**

## DIMENSIONS

- Height: **200 mm**
- Depth: **200 mm**

## SOURCES NOT INCLUDED

- Category: **LED RETROFIT**
- Number: **1**
- Watt: **6W**
- Socket: **E14**